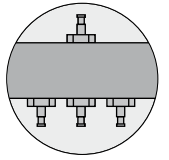


7.1 Accessories for ensuring the safe operation



A central triggering field with integrated button or switch is available for the conductor bonding components with cover plate.

Technical data:

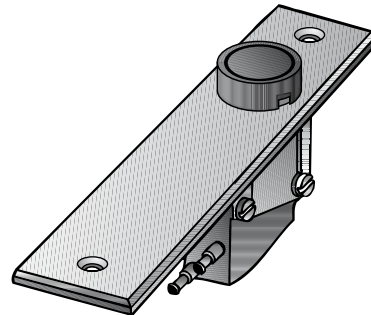
Directly controlled 3/2 way valve (micro tappet valve)

Medium:	Filtered compressed air without oil
Design:	Directly operated single-sided seat valve with pull-back spring
Pressure range:	max. 8 bar
Operating force:	At 6 bar operating pressure = 6 N
Temperature range:	0 – 60 °C
Connection:	Connection nipple for plastic hose NW 3 mm

Order data:

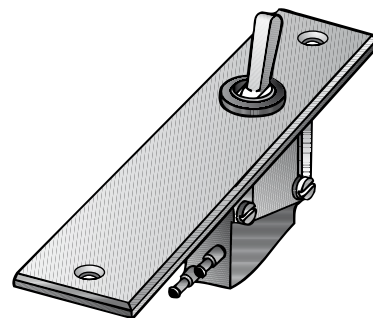
Central triggering – pneumatic with button

Order No.: LKV – PT



Central triggering – pneumatic with switch

Order No.: LKV – PS



Assembly instructions:

Cover plate dimensions:	95 x 30 x 3 mm
Fixing hole distance:	80 mm
Hole diameter:	3.1 mm (countersunk head)