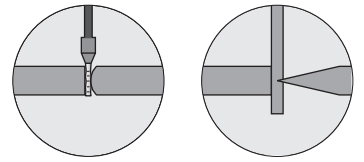


2.1 Single components for automation and testing technology



Special version LKV-S8 for establishing smaller grid sizes

Function

Function, technical features and technical data basically correspond to the LKV standard version.

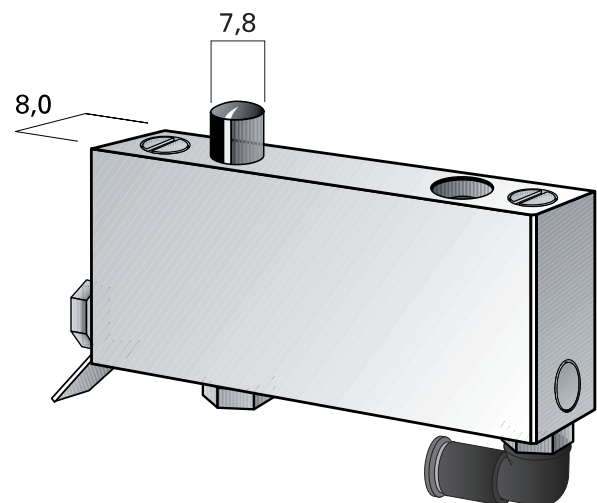
Please take notice that due to the smaller piston seal the clamping piston pressing force is approx. 50% lower than with the standard modules of the LKV-12 model series.

Grid sizes up to 9 mm are possible due to the smaller case width (8 mm).

Versions between 1,5 mm and 4 mm bonding outlet are available for single line bonding. The air plug is generally a swivelling angular connection for 3 mm hose diameter.

Order No.:

LKV-S8-D40FWS



Please take note of our special accessories such as pneum. central opener.