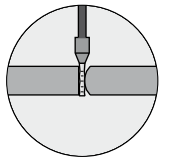


1.4 Single components for automation and testing technology

Special module of the LKV-12 model series



Pneumatic bonding for single conductors with potential-free microswitch

Function

The contact is made by inserting the line into the bonding outlet. The process is triggered by a control tappet which will be pressed down approx. 1 mm by the conductor. This tappet operates simultaneously a microswitch which can be used for potential-free switching of signals, visual displays, etc.

Bonding of the conductor is performed by a clamping piston connecting line and housing. Bonding is opened by interrupting the air supply using the LKV opening button, the magnetic valve, the air-operated button, foot-operated valve, etc. When opening the conductor bonding, the microswitch contact is also opened.

Technical features

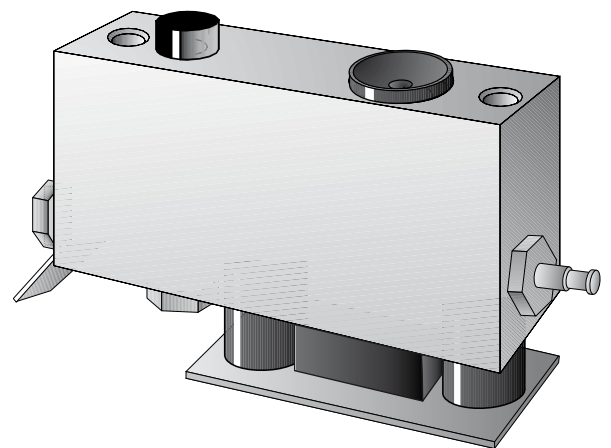
- Quick and exact establishment of bonding
- Additional potential-free contact for signal processing
- Possibility of correction using the LKV opening button in case of wrong assignment
- Simultaneous release of all connections
- Suitable for transferring higher and lower currents/voltages
- Easy assembly

Technical data

- Compressed air supply, filtered and dry air ~ 6 bar
- Air plug, 3 mm hose diameter (other plugs upon request)
- Electrical connection with flat-blade connection
6.3 x 0.8 mm
- Operating force 0,8 – 1,0 N
- Clamping force 15 – 20 N
- Dimension 60 x 25 x 12 mm

Technical data of microswitch

- Contact rating 2A/12V VDC / 0,1A 125VAC
- Minimum contact rating 1mA 5 VOC
- UL and CSA approval

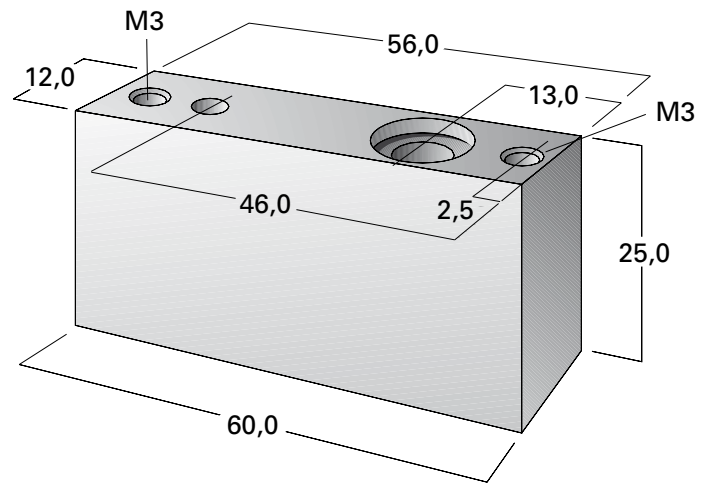


Please take note of our special accessories such as pneum. central opener, compressed air distributor.

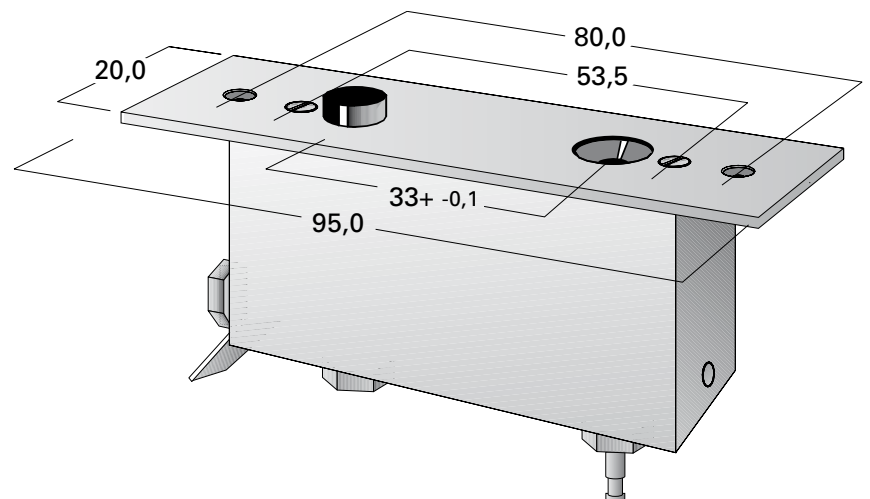
1.5 Single components for automation and testing technology

Available types of cases (dimensions in mm) for the LKV-12 model series

Standard case



Standard case with cover plate dimensions



Special case of the LKV-12/VA model series
For small grid sizes,
preferably for circle arrangement.

